



## VP-2111/VP-2111-TC

C Language Based ViewPAC with MiniOS7 and 3 I/O Slots  
(English + Traditional/Simplified Chinese Version)

### Features

- 80186, 80 MHz CPU
- MiniOS7 Embedded Operating System (DOS-like)
- C language Based Software Development Toolkit
- Modbus Library Provided
- Hardware Diagnostic Functions
- IP65 Compliant Front Panel
- 3 x I/O Expansion Slots
- Rich I/O Expansion Ability (RS-232/485, Ethernet, Frnet, CAN)
- Operating Temperature: -15 ~ +55 °C



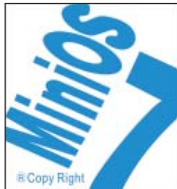
### Introduction

ViewPAC combines iPAC, graphic display and keypad in one unit. It equips an 80186 CPU (16-bit and 80 MHz) running a MiniOS7 operating system, several communication interface (Ethernet, RS-232/485), 3 slots to expand I/O modules, STN LCD and a rubber keypad.

Its operating system, MiniOS7, can boot up in a very short time (0.4~0.8 seconds). It has a built-in hardware diagnostic function, and supports the full range of functions required to access all high profile I-8K and I-87K series I/O modules, such as DI, DO, DIO, AI, AO, Counter/Frequency, motion control modules, etc.

Compared with traditional HMI + PLC solutions, ViewPAC reduces overall system cost, space and gives you all the best features of HMIs and PLCs.

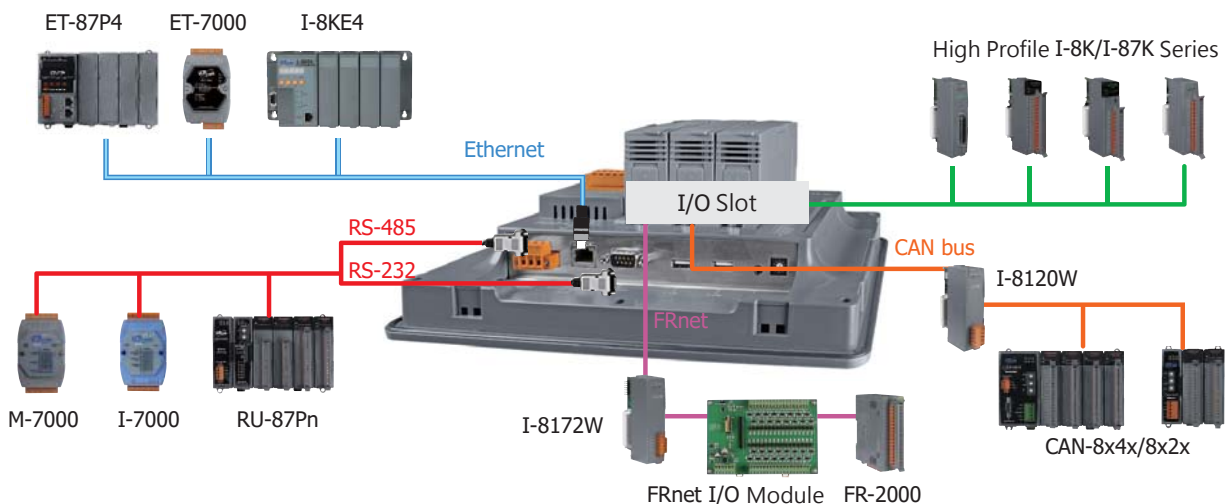
### Powerful Embedded OS — MiniOS7



MiniOS7 is the most stable OS used in the last decade. Up to now, several hundred thousand copies with our PACs have been distributed worldwide.

- DOS-like embedded OS
- Antivirus ability
- Internet connectivity
- Libraries & demo programs for various peripherals, devices and remote I/O modules
- Short boot time period (<1 Second)
- Less memory resource required
- Faster watchdog response time

### Applications

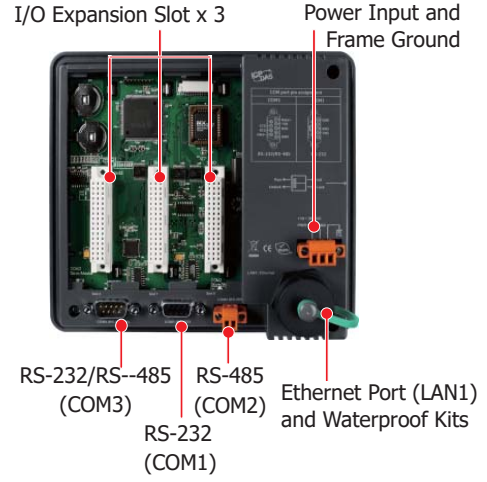


## Specifications

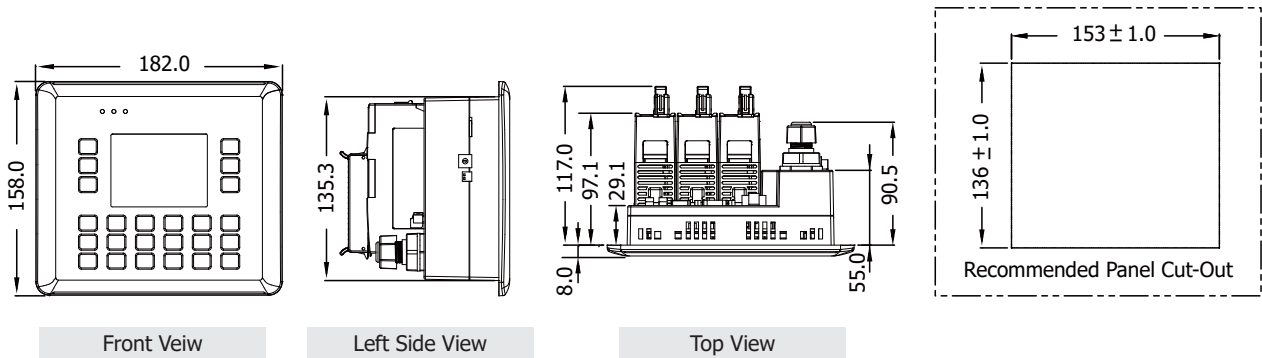
Models	VP-2111	VP-2111-TC
<b>Display</b>		
Type	STN, 128x64 Dot Matrix LCD	
Text Font	English + Simplified Chinese	English + Traditional Chinese
<b>System Software</b>		
OS	MiniOS7	
Development	C Language	
Service		
SDK		
Multilanguage Support		
<b>CPU Module</b>		
CPU	80186 or compatible, 16-bit and 80 MHz	
SRAM	768 KB SDRAM, 512 KB Dual battery backup SRAM	
Flash	512 KB	
NVRAM	31 Bytes	
NAND Flash	64 MB	
EEPROM	16 KB	
RTC (Real Time Clock)	Provide seconds, minutes, hours, dates, day of week, month, year	
64-bit Hardware Serial Number	Yes	
Watchdog Timer	Yes	
<b>HMI</b>		
LED Indicator	1 x System, 1 x Power, 1 x Ethernet/3 x Programmable	
Buzzer	Yes	
Rubber Keypad	24	
<b>Communication Interface</b>		
Ethernet	1 x RJ-45, 10/100 Base-TX (Auto-negotiating, Auto MDI/MDI-X, LED indicators)	
COM0	Internal communication with the high profile I-87K series modules in slots	
COM1	RS-232 (to update firmware) (RxD, TxD, and GND); Non-Isolated	
COM2	RS-485 (D2+, D2-; self-tuner ASIC inside); 2500 VDC isolated	
COM3	RS-232/RS-485 (RxD, TxD, CTS, RTS and GND for RS-232, Data+ and Data- for RS-485); Non-Isolated	
<b>I/O Expansion</b>		
I/O Type	I-8K, I-87K series	
Slots	3	
<b>Mechanical</b>		
Dimensions (W x L x H)	182 mm x 158 mm x 125 mm	
Weight	1.6 kg	
Installation	Wall mounting	
Ingress Protection Rating	Front panel: IP65	
<b>Environmental</b>		
Operating Temperature	-15 ~ +55 °C	
Storage Temperature	-30 ~ +80 °C	
Humidity	5 ~ 90 % RH, Non-condensing	
<b>Power</b>		
Input Range	+10 ~ 30 VDC (1 kV Isolated )	
Consumption	6.0 W	

## Appearance

### VP-23W1



## Dimensions (Units: mm)



## Ordering Information

<b>VP-2111 CR</b>	Standard ViewPAC with MiniOS7 and 3 I/O Slots (English + Simplified Chinese Version) (RoHS)
<b>VP-2111-TC CR</b>	Standard ViewPAC with MiniOS7 and 3 I/O Slots (English + Traditional Chinese Version) (RoHS)